



**BREAKERS & ATTACHMENTS**

**BREAKER MODEL**

**365 ST**

**STRONGER**

**Piston Design**

Stronger strike with its increased impact power and enhanced piston design!

**Membrane and Accumulator**

With its highly resilient accumulator and membrane, our breakers impact with the same energy on every single stroke, thus providing maximum efficiency even when working on the hardest materials.

**MORE DURABLE**

**Dual Retainer**

Dual retainer design makes sure that the tool impacts with more balance.

**Wearing Plates**

Our breakers have longer lifetimes thanks to their highly resilient wearing plates which were specially designed for operating conditions.

**MORE RELIABLE**

**Minimum Vibration**

Minimum vibration and maximum performance with our excellent impact absorbant vibration buffers and polyurethane-covered tie-rods.

**Hydraulic Cushioning**

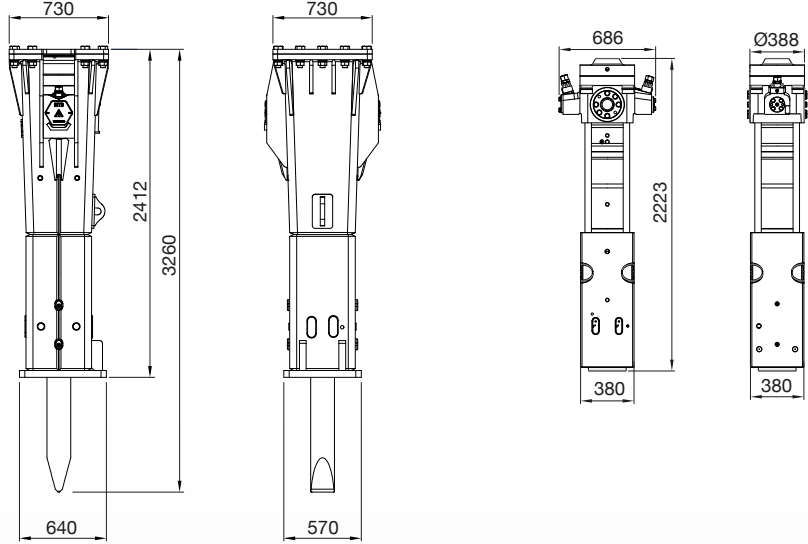
If the breaker blank-fires during operation, thanks to our hydraulic cushioning feature the piston won't hit the cylinder, therefore prolonging the lifetimes of the components.



# TECHNICAL INFORMATION

## 365 ST

Operating weight (a) kg	3900
Oil Flow l/min	220~270
Impact Rate (b) bpm	370~450
Operating Pressure (c) bar	145~150
Input power (d) kW	53.2~67.5
Relief Pressure bar	210
Back Pressure Max. bar	8
Tool Diameter mm	175
Noise Level (d) LWA (dB)	129
Carrier Weight (e) t	45~55



(a) It includes the approximate weight of the breaker, bracket, standard tool and hose weights.

(b) Actual impact frequency depends on the oil flow, oil viscosity, temperature and the material to be broken.

(c) Actual pressure depends on the oil flow, oil viscosity, temperature, material to be broken and the return pressure.

(d) Input power directly effects fuel consumption. Low input power (kW) requirement means low fuel consumption.

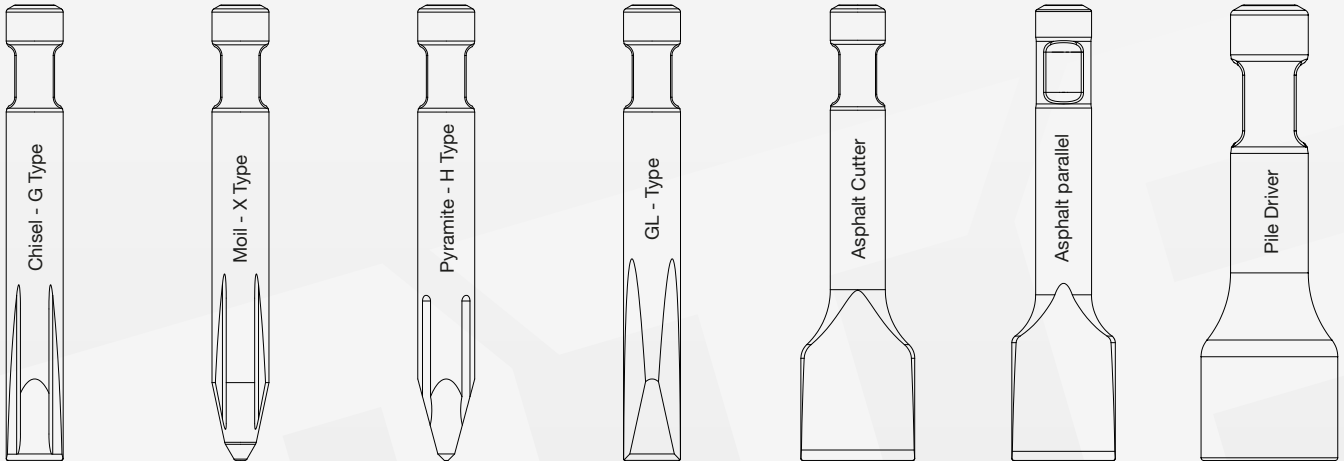
(e) Guaranteed sound power testing results according to directive 2000/14/EC (Guaranteed dB(A)=Measured Value +3 dB).

(f) If the carrier machine is out of the optimum range, ask the carrier machine manufacturer for allowed attachment weight.

## TOOL PROPERTIES

	Pyramid	Moil	Chisel	Blunt
Operating Principle				
Key Properties	<ul style="list-style-type: none"> <li>Breaking in four directions</li> <li>General demolition</li> </ul>	<ul style="list-style-type: none"> <li>Breaking in all directions</li> <li>Suitable for general use</li> </ul>	<ul style="list-style-type: none"> <li>Breaking in two directions</li> <li>Suitable for general purpose by demolition</li> </ul>	<ul style="list-style-type: none"> <li>Good energy transfer</li> <li>Demolition – Impact breaking</li> </ul>

## SPECIAL TOOLS



Rev. 150822



### Factory

Bahçelievler OSB Mh. 11. Cd. No: 4A

59510 Kapaklı / Tekirdağ - TURKEY

+90 282 768 25 00

[www.mtbbreakers.com](http://www.mtbbreakers.com) - [info@inanmakina.com](mailto:info@inanmakina.com)



**WARNING!** The visuals and the information in this brochure are standard or optional depending on the version of the product.

INAN MAKİNA A.Ş. saves the right to modify the values and designs shown in this brochure without notice.